

Enduro® Patio Cover

An Enduro® patio cover will keep your family and patio furniture cool and protected from the hot sun and harmful UV rays far better than a unsteady umbrella or other shade device.

- Ideal for Personal or Commercial Use
- Sports and Recreation
- Trade Shows
- Business



Available in sizes to fit most standard patios - 12' x 10', 12' x 20', and 12' x 30' kits.



Set-up and installation is never a problem with the unit's slip fit frame and easy-to-attach shade fabric cover. Every unit includes assembly instructions and the necessary hardware for a safe and proper assembly.

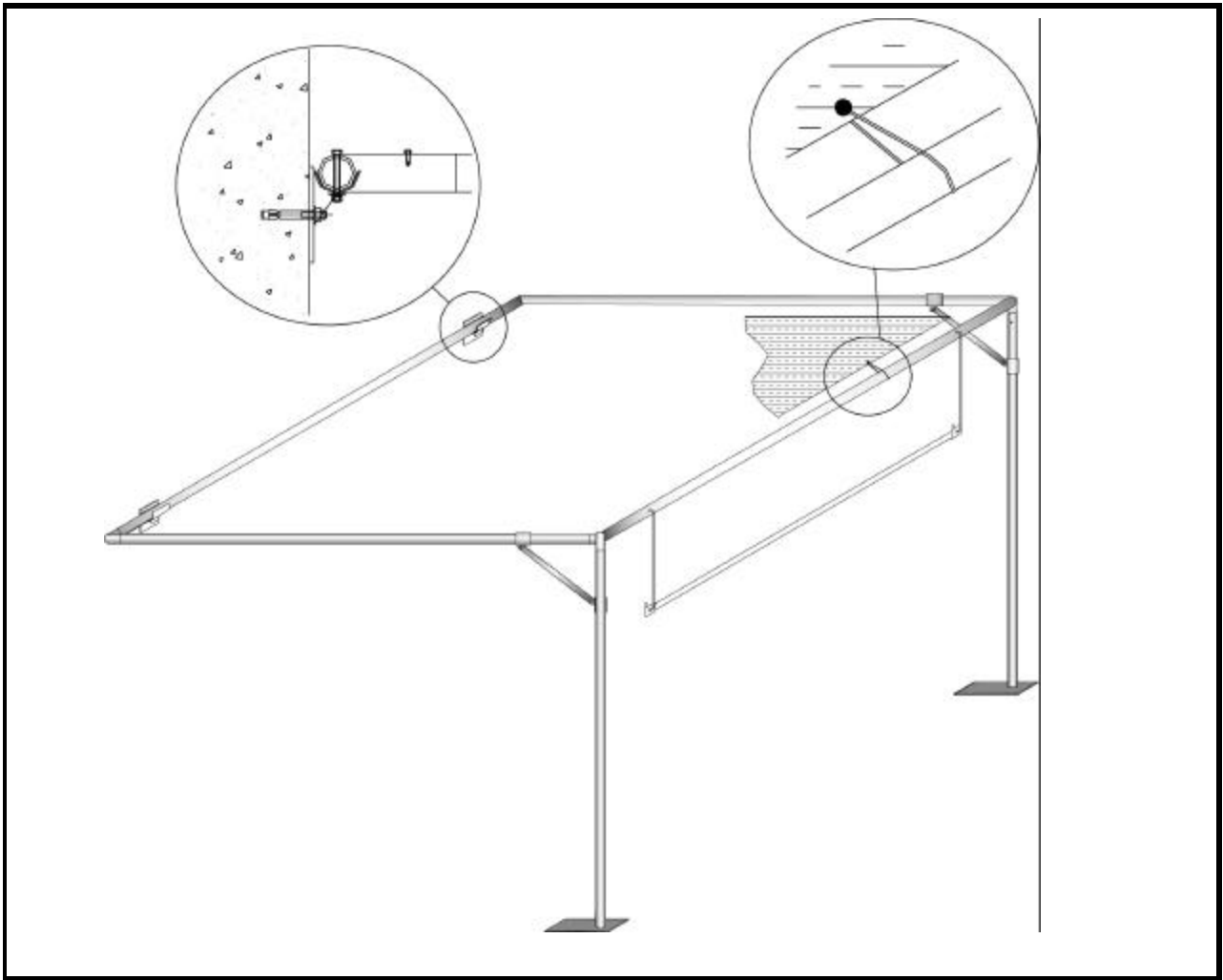
- Frame is manufactured of 16 gauge 2 3/8" Allied Gatorshield galvanized steel
- Frame is available in galvanized finish that can be painted by the customer or powder coat finish in Ivory
- Frame system has exceptional stability with corner bracing and included base plates
- UV resistant Enduro shade 80% shade factor in Spruce Green or Spiced Sand has superior tensile and tear strength and is flame retardant
- Shade panels are easily attached with bungee balls for easy installation and removal
- Plant hanger bars are an available option for hanging

Manufactured by:



Hendee Enterprises, Inc.
The Innovative Solutions Company

Sold by:



FLAT PATIO SHADE PRICE LIST

UNIT	RETAIL PRICE
12' x 10' x 8' Flat Patio Shade Unit (Galvanized Finish)	\$524.00
12' x 20' x 8' Flat Patio Shade Unit (Galvanized Finish)	\$854.00
12' x 10' x 8' Flat Patio Shade Unit (Standard Color Powder Coat Finish)	\$784.00
12' x 20' x 8' Flat Patio Shade Unit (Standard Color Powder Coat Finish)	\$1210.00
Add a 10' Bay (Galvanized Finish)	\$327.00
Add a 10' Bay (Standard Color Powder Coat Finish)	\$427.00
Add a Bar Style suspended plant hanger (Galvanized Finish)	\$41.00
Add a Bar Style suspended plant hanger (Standard Color Powder Coat Finish)	\$56.00
Add a Column Single Column Mounted Plant Hanger (Galvanized Finish)	\$27.00
Add a Column Single Column Mounted Plant Hanger (Standard Color Powder Coat Finish)	\$41.00

